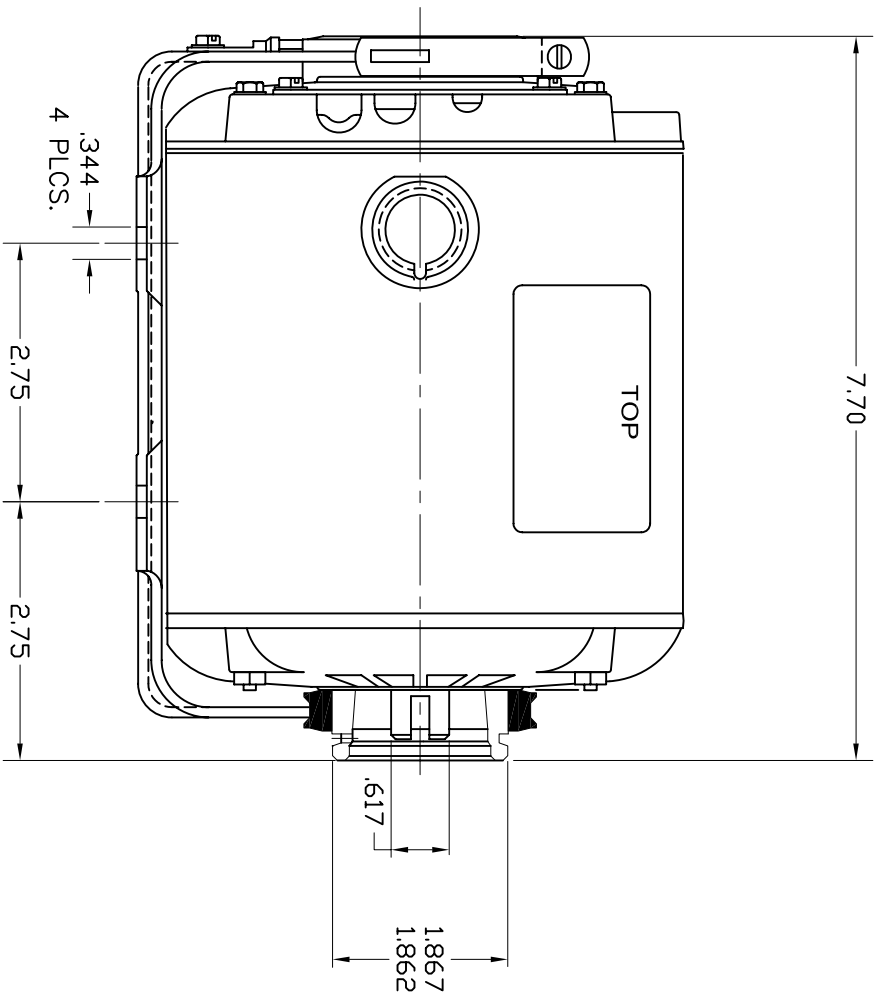
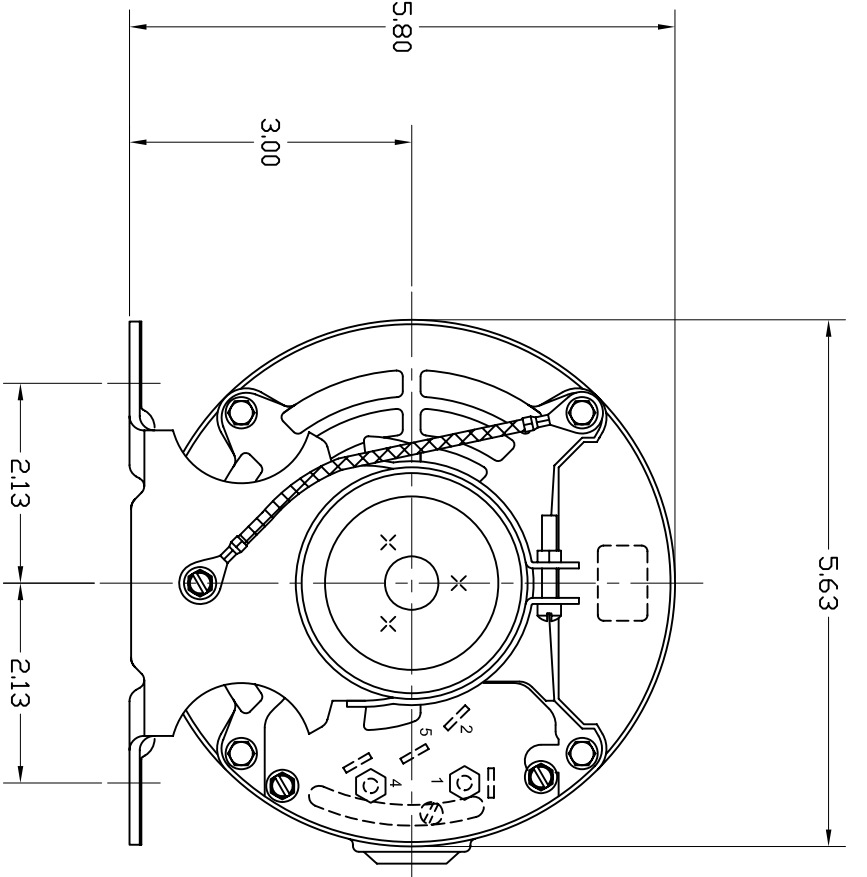


# 806 motor



- SPEED: 1725 RPM
- HORSEPOWER: 1/3 HP
- SERVICE FACTOR: 1.0
- TYPE: SPLIT PHASE
- CYCLE: 60 HZ.
- VOLTS: 115 - 1 PH
- AMPS: 6.5
- FRAME: 48Y
- ENCLOSURE: OPEN DRIPPROOF
- OVERLOAD PROT.: AUTO-PROTECTED
- BASE: RESILIENT
- INSULATION: CLASS B

869 Seven Oaks Blvd  
 Suite 120  
 Smyrna, TN 37167  
 615-355-8000  
[mail@proconpump.com](mailto:mail@proconpump.com)

Disclaimer:  
 Dimensions are subject to change without notice and will vary slightly depending on the motor vendor selected for your order

