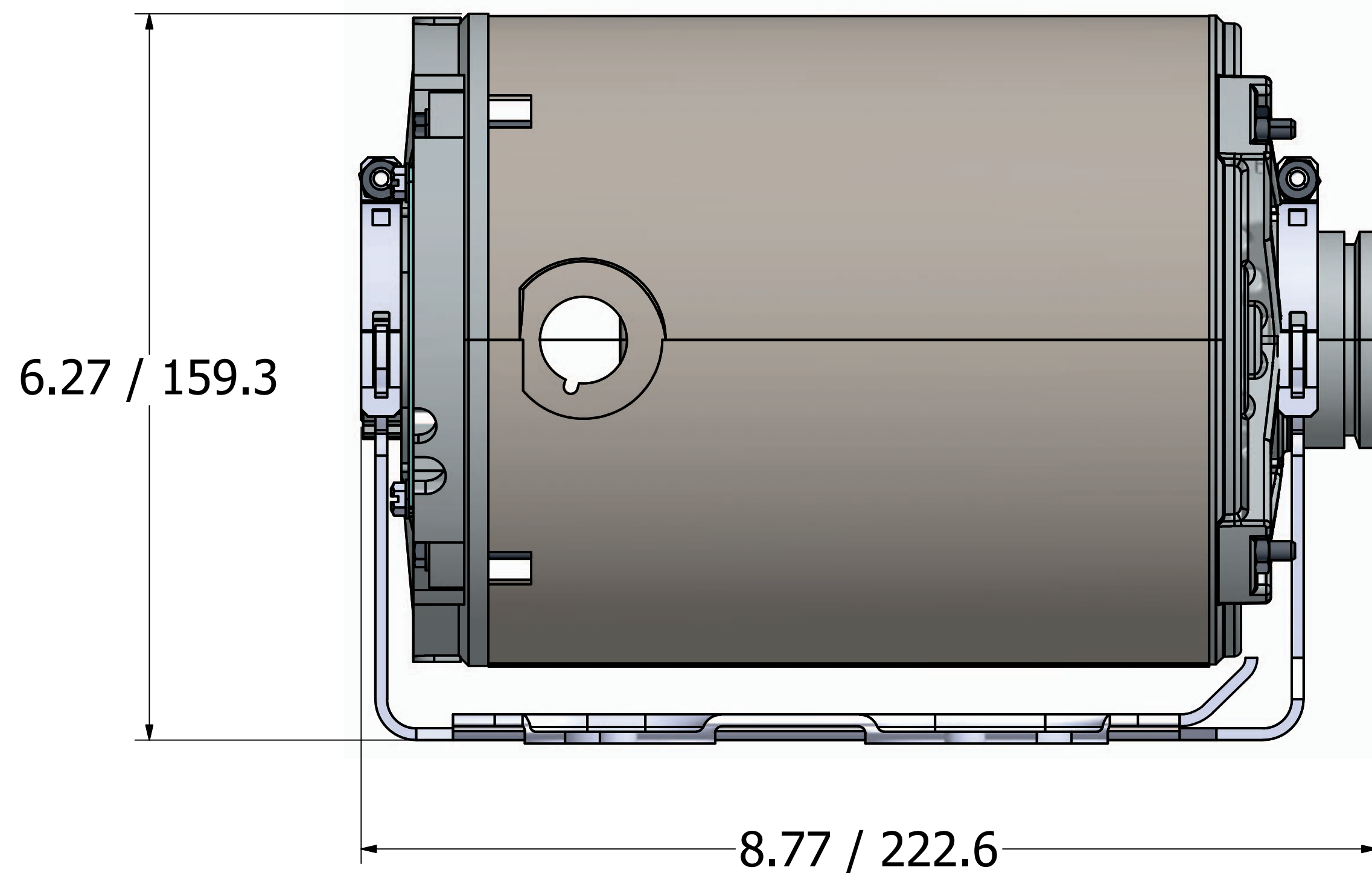
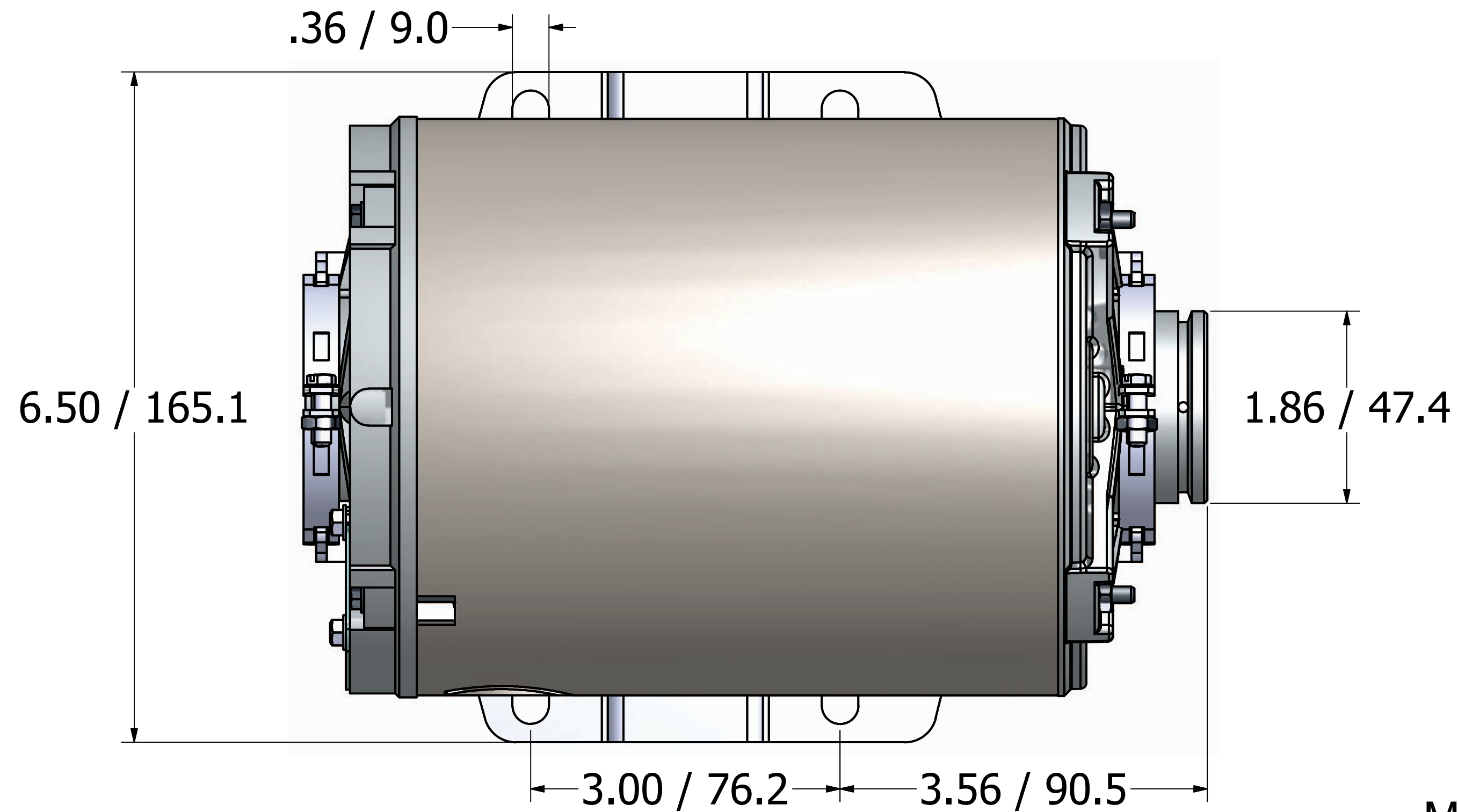


# 871 motor



Motor Type: 48 Y, Split Phase, ODP  
Insulation Class: B  
Rated HP: 1/2 (375 Watts)  
Input Voltage : 100-120/200-240VAC 1PH  
Input Frequency: 50/60 Hz  
Motor Speed: (Unloaded): 1450/1725 RPM  
Service Factor: 1.0  
Overload Protection: Auto Reset  
Base: Resilient  
Amp Rating :7.1-7.2/3.4-3.6

